

## NEMO® Dispenser NDP1000-02

The metering pump for all of your applications



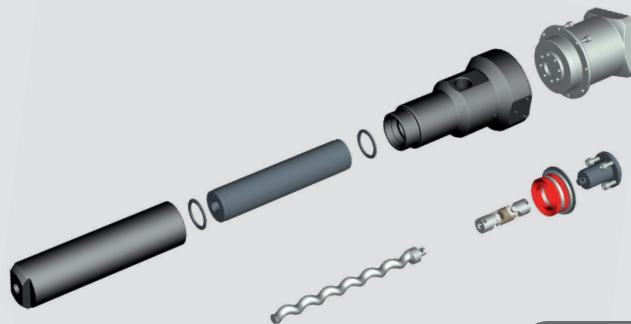
NEMO® Dispensers guarantee precise dosing and repeatability of highly abrasive and viscous fluids. The positive displacement, low pulsation flow conveys your product without damage to your product. Whether your requirements call for single or 2-component meter-mix we have the size, model and solution for all of your applications.

### NEMO® Dispenser Features

- Capacity directly proportional to pump speed
- Dosing accuracy  $\pm 1\%$  volumetric
- Highly versatile in applications requiring robotic and servo technology
- Valve free dosing method
- Optional heating
- Perfect for shear sensitive products such as micro balloons

### Your Benefits

- Very smooth conveyance
- Low pulsation
- Compact designs allow for easy installation in robotic applications
- Products with entrained solids are conveyed without damage
- No dripping or stringing of product
- Flow is independent of temperature or viscosity



### Applications

- Low to very high viscos fluids
- Abrasive products
- Anaerobic products
- Shear and pressure sensitive products
- Dot or bead applications
- Suitable for all adhesives and sealants
- Excellent for all potting applications
- Can be used for flux and soldering pastes

