

# NEMO® BO Open Hopper Pumps

## FOR HEAVY APPLICATIONS

NEMO® BO pumps are designed to handle high-consistency products with a low degree of flow ability. They provide continuous, pressure-stable, gentle and low-pulsation conveyance with metering in proportion to rotational speed. The pump housing is designed with a larger, rectangular hopper and force-feed chamber. The coupling rod is equipped with a conveyor auger that transports the product into the rotor/stator system. The auger is oversized and provides about 80% more flow to ensure improved pump efficiency. The conveyor auger is perfectly synchronized with the rotor/stator system and covers almost the entire hopper opening. The hopper opening can be customized to fit individual specifications.

### Features

- Pump housing with enlarged rectangular hopper
- Force-feed chamber
- Integrated feeding screw in the hopper
- Continuous low-pulsation conveyance unaffected by fluctuations in pressure and viscosity
- Flow volume in direct proportion to rotational speed
- High pressure capability without valves
- Stator with funnel-shaped entrance for optimal filling of the conveying chamber
- Carbon steel or stainless steel housing, internal component materials are available in carbon steel and stainless steel.

### Your benefits

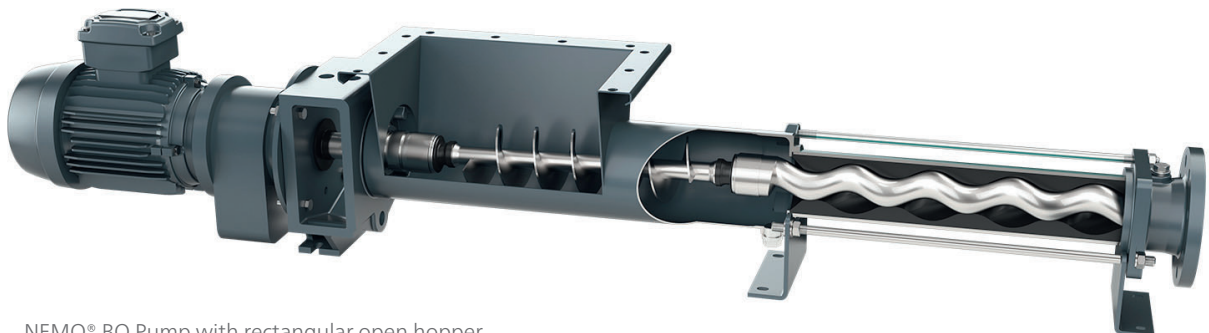
- Gentle conveyance
- High continuous flows up to 880 gpm / 200 m<sup>3</sup>/hr
- Handles pressures over 360 psi / 24 bar
- Economical operation and routine maintenance requirements only
- Close coupled, compact and economical
- Low noise, low vibration
- Easy to clean and service
- Adaptable to meet your closed-system requirements
- Odor control

### Main applications

- Highly viscous substances
- Compacted product
- Sticky and smooth product
- Crumbly materials
- With or without solids
- Dilatant and /or thixotropic product
- Abrasive materials
- Adhesive materials

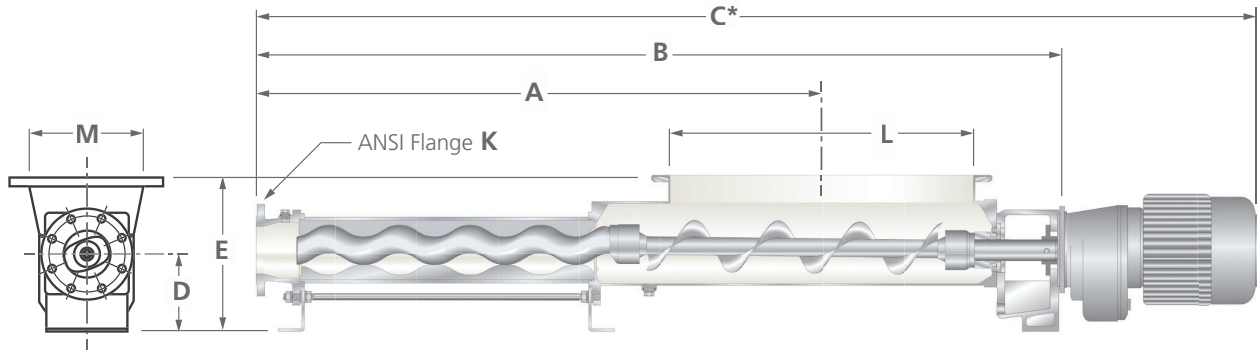
### Additional information

NEMO® PCP Brochure 305



NEMO® BO Pump with rectangular open hopper

## NEMO® BO Open Hopper Pump



Flow rates up to 880 gpm / 200 m<sup>3</sup>/h at pressures up to 360 psi / 24 bar.

### NEMO® BY Pumps

Pump Models	Flow Rate (GPM/100 rpm)		Max Particle Size (inches / mm)	Max Solids Size (inches / mm)	Dimensions (inches)					Hopper Opening Dimensions (inches)		ANSI Flange
	02S	01L			A	B	C*	D	E	L	M	
NM015 BO 02S12 / 01L06	0.26	0.50	.08 / 2.0	.35 / 9.0	17.7	26.4	42.4	3.9	8.1	8.0	4.1	Int Thread 1-1/4"
NM021 BO 02S12 / 01L06	0.73	1.42	.12 / 3.0	.47 / 12.0	20.7	29.4	45.4	3.9	8.1	8.0	4.1	
NM031 BO 02S12 / 01L06	2.06	4.06	.18 / 4.5	.71 / 18.0	29.9	41.2	61.2	4.4	9.5	10.0	6.1	2"
NM038 BO 02S12 / 01L06	5.78	11.39	.28 / 7.0	1.1 / 28.0	35.0	45.9	66.9	5.2	10.3	10.0	6.1	2.5"
NM045 BO 02S12 / 01L06	9.71	19.42	.33 / 8.5	1.38 / 35.0	41.5	54.5	76.5	6.3	12.6	13.8	8.7	3"
NM053 BO 02S12 / 01L06	16.27	32.54	.40 / 10.0	1.61 / 41.0	47.0	63.6	87.6	6.7	13.0	19.7	9.4	3"
NM063 BO 02S12 / 01L06	27.44	54.88	.50 / 12.5	2.0 / 50.0	56.3	75.1	99.1	7.9	15.7	23.6	11.0	4"
NM076 BO 02S12 / 01L06	46.01	92.02	.60 / 15.0	2.4 / 61.0	65.9	86.1	114.1	8.9	16.7	25.6	13.0	6"
NM090 BO 02S12 / 01L06	77.27	154.55	.71 / 18.0	2.9 / 73.0	77.7	99.3	135.3	9.8	18.5	27.6	13.0	6"
NM105 BO 02S12 / 01L06	129.55	259.10	.83 / 21.0	3.31 / 84.0	94.6	119.6	161.6	11.0	22.0	33.2	14.6	6"

\* Based on largest standard gearmotor. C-Face motor arrangement may be longer. Not for construction.

### Options for BO pumps

- aBP-Module\* to avoid bridge building
- Bridge breaking paddle
- Customized hopper dimensions
- Load cells
- Friction loss reduction system
- Clean out flanges
- Hopper level sensors
- Over pressure protection
- Electronic counters with proximity sensors for dosing applications
- Electrical control systems

**NETZSCH**  
pumps-systems.netzsch.com

NETZSCH Pumps USA · 119 Pickering Way · Exton, PA 19341  
Tel.: 610 363-8010 · Fax: 610 363-0971 · npa@netzsch.com

NETZSCH Pumps USA · 1511 FM 1960 Road · Houston, TX 77073  
Tel.: 346 445-2400 · npa@netzsch.com

NETZSCH Canada Incorporated · 500 Welham Road · Barrie, ON L4 8Z7  
Tel.: 705 797-8426 · Fax: 705 797-8427 · ntc@netzsch.com