

NEMO® Dispenser NDP0600-03

The metering pump for all of your applications

NEMO® Dispensers guarantee precise dosing and repeatability of highly abrasive and viscous fluids. The positive displacement, low pulsation flow conveys your product without damage to your product.

Whether your requirements call for single or 2-component meter-mix we have the size, model and solution for all of your applications.

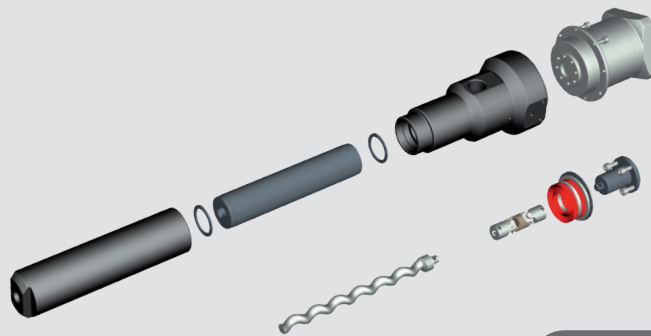


NEMO® Dispenser Features

- Capacity directly proportional to pump speed
- Dosing accuracy $\pm 1\%$ volumetric
- Highly versatile in applications requiring robotic and servo technology
- Valve free dosing method
- Optional heating
- Perfect for shear sensitive products such as micro balloons

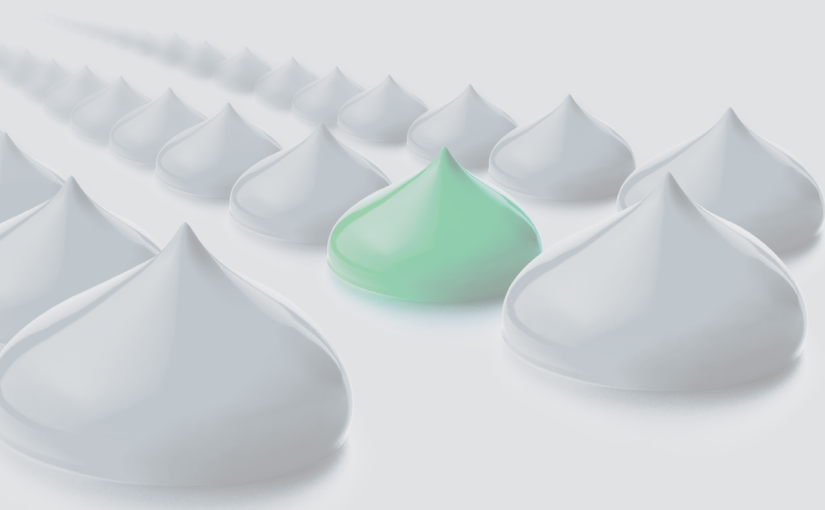
Your Benefits

- Very smooth conveyance
- Low pulsation
- Compact designs allow for easy installation in robotic applications
- Products with entrained solids are conveyed without damage
- No dripping or stringing of product
- Flow is independent of temperature or viscosity

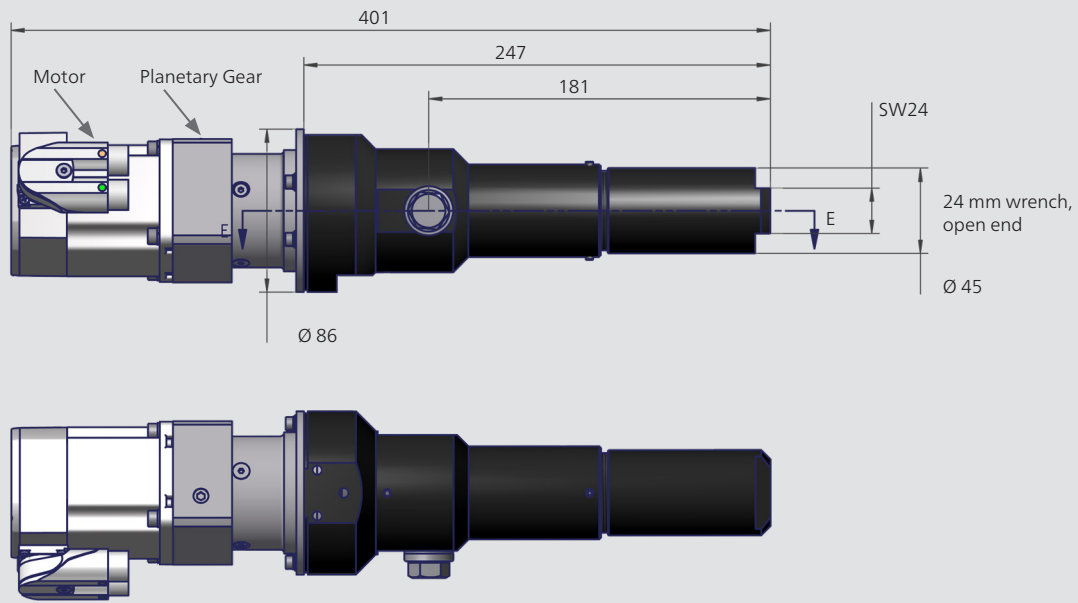


Applications

- Low to very high viscos fluids
- Abrasive products
- Anaerobic products
- Shear and pressure sensitive products
- Dot or bead applications
- Suitable for all adhesives and sealants
- Excellent for all potting applications
- Can be used for flux and soldering pastes



NEMO® Dispenser NDP0600-03



all dimensions in mm

NEMO® Dispensers NDP0600-03

Dosing volume	~ 1 ml/rev.
Min. dosing quantity	0.25 ml*
Stator materials	NBR, EPDM, Viton, PTFE25%GF, (FDA Grades available)
Flow rate	6 – 200 ml/min*
Max. dispense speed	200 rpm*
Operating temperature	up to +248 °F /+120 °C
Max. back pressure	up to 450 psi/30 bar*
Max. inlet pressure	145 psi/10 bar
Weight incl. gearbox	ca. 6.2 lbs/2.8 kg

*depending on product

NETZSCH Pumps USA
119 Pickering Way
Exton, PA 19341
Tel.: 610 363-8010
Fax: 610 363-0971
npa@netsch.com

NETZSCH Pumps USA
1511 FM 1960 Road
Houston, TX 77073
Tel.: 346 445-2400
npa@netsch.com

NETZSCH Canada, Incorporated
500 Welham Road
Barrie, ON L4N 8Z7
Tel.: 705 797-8426
Fax: 705 797-8427
ntc@netsch.com