

NETZSCH NBE 200

Drum Emptying Unit

Empties >99% of drum contents
viscosities up to 5 M cps

NETZSCH Drum Emptying Units actually pump their way through your products reaching the bottom of the drum with less than 1% left in the container. The heart of the drum emptying unit is a NEMO® progressing cavity pump which creates positive displacement, low pulsation flow to convey your product without damage. In fact, most products are only exposed to the friction loss through the discharge piping. The NETZSCH single slide rail system raises and lowers the follower plate safely while providing a simple and easy structure to clean.

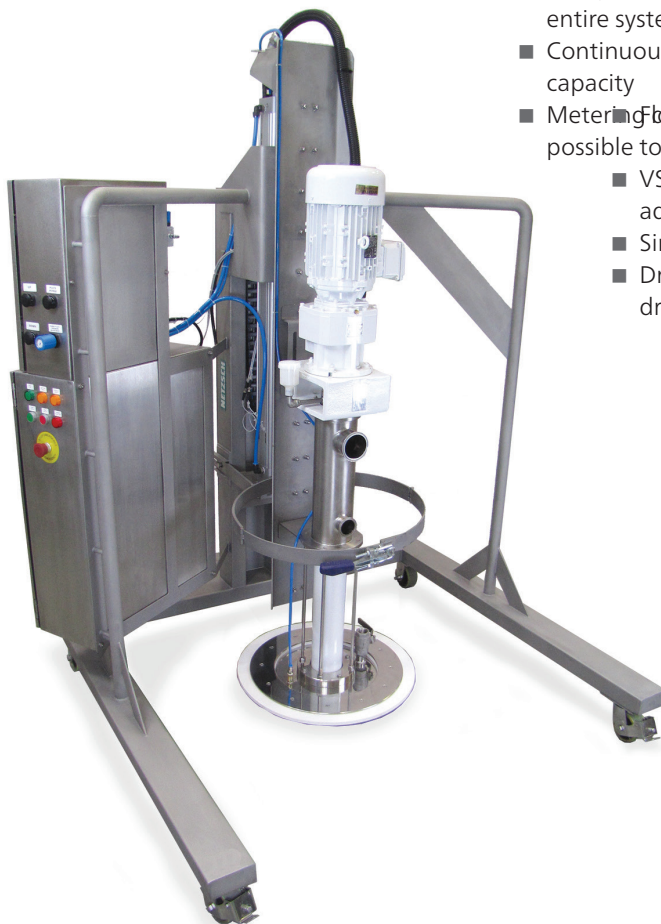
- **Sanitary Prime Version offers FDA compliant budget level solutions**
- **Sanitary Advanced version offers hygienic design and CIP-able pump**

NETZSCH NBE 200 Features

- Continuous or intermittent emptying
- No pressure or flow interruption
- Emptying of conical drums as an option
- Low pressure conditions in the entire system
- Continuously adjustable discharge capacity
- Metering directly in the proportion possible to pump speed
 - VSD allows easy adjustment
 - Simple, single-rail design
 - Drum clamp holds the drum in place

Your Benefits

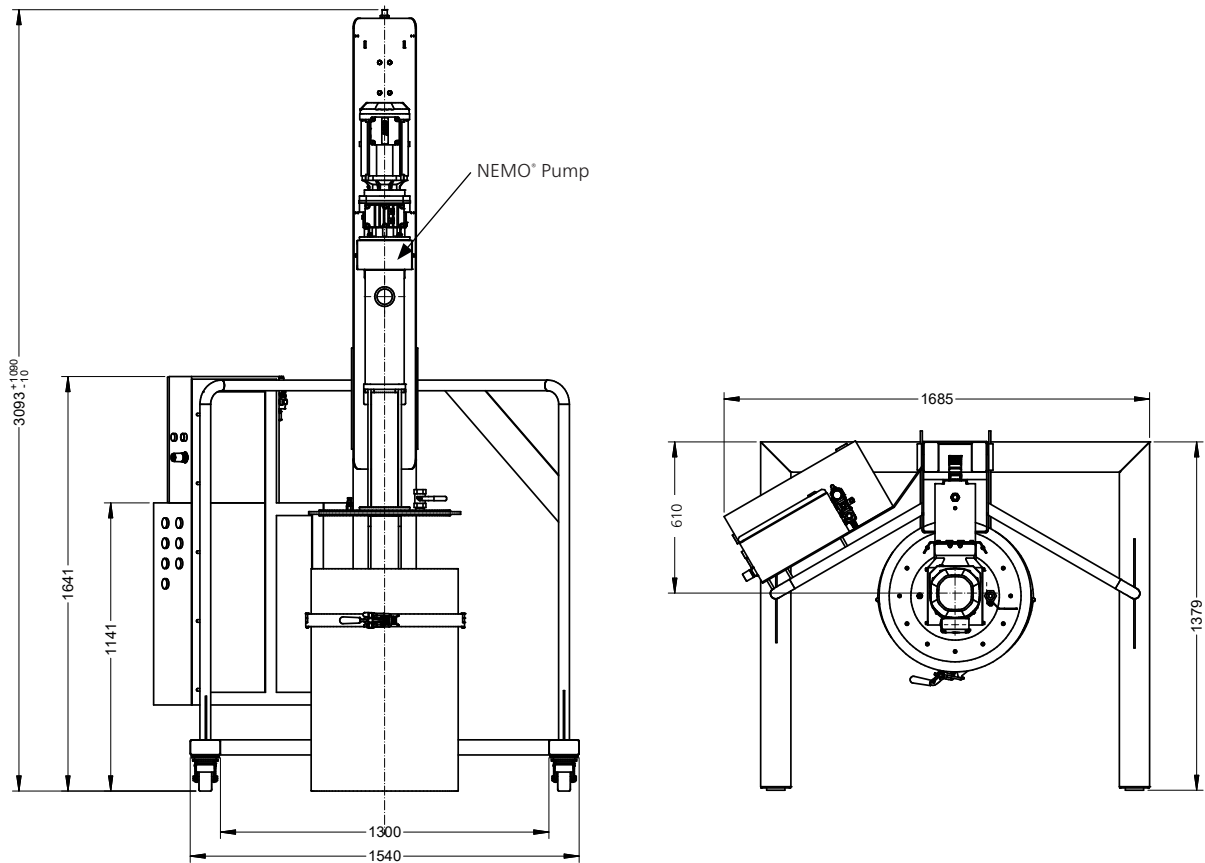
- Very smooth conveyance
- Low pulsation
- Significantly lower shear rate than any other pump technology
- Products with entrained solids are conveyed without product damage
- Flow is independent of temperature or viscosity
- Nearly complete discharge, residues < 1 %
- Maintenance friendly
- Low life cycle costs
- Stainless steel, easy-to-clean design
- Auto shut off of pump when barrel is empty



Applications

- Low to very high viscosity
- Non-Newtonian or thixotropic fluids and pastes
- Shear and pressure sensitive products
- Highly abrasive materials
- Pump can handle products up to 5 million cPs

NETZSCH NBE 200 Drum Emptying Unit



*all dimensions in mm

	NETZSCH NBE 200 Drum Emptying Unit
Base frame	Stainless steel
Frame options	Fixed or mobile version
Material in contact with product	1.4571 / stainless steel 316
Barrel sizes	55 gal. / 200 l standard, others on request
Wiping ring	NBR, EPDM, Viton, (Food Grade FDA compliant)
Flow rate	Up to 44 gpm / 10 m ³ /h*
Pump	BY industrial pump, BH sanitary pump, sizes up to NM063
Max. back pressure	Up to 290 psi / 20 bar*, others on request
Control	Standard with VSD control panel (NEMA / IP 65)
Optional	PLC metering control unit available

*depending on product

NETZSCH Pumps USA
 119 Pickering Way
 Exton, PA 19341
 Tel.: 610 363-8010
 Fax: 610 363-0971
 npa@netsch.com

NETZSCH Pumps USA
 1511 FM 1960 Road
 Houston, TX 77073
 Tel.: 346 445-2400
 npa@netsch.com

NETZSCH Canada, Incorporated
 500 Welham Road
 Barrie, ON L4N 8Z7
 Tel.: 705 797-8426
 Fax: 705 797-8427
 ntc@netsch.com

pumps-systems.netsch.com