

NEMO® BY Mini Pumps

VERSATILE AND FLEXIBLE MINI METERING PUMPS

NEMO® BY Mini Metering Pump systems are delivering consistent quality in the chemical, pharmaceutical, food industries and even in wastewater plants, pulp and paper industries, and in laboratory application. These pumps administer almost pulsation free dispensing with high repeatability and a metering accuracy of $\pm 1\%$. NEMO® BY Mini Metering Pumps deliver and meter directly proportional to speed, ensuring the flexibility needed to meet your process requirements with accuracy, repeatable flow capabilities and easily adaptable capacities. Four different rotor/stator systems allow for easy adaptation and altered process requirements. Flow rate ranges from 0.3 to 150 gph.

Features

- Suitable for watery to highly viscous products
- Continuous flow depending on pump speed
- High self-priming capacity
- Easy mounting
- Joints sealed to the media
- Flow range of 1:10 standard and 1:40 special design
- Extensive range of materials; standard: stainless steel 316L
- Wide range of capacities and pressures
- Four different rotor/stator sizes with identical dimensions for flow range of 1:500

Your benefits

- Accurate smooth conveyance
- Precise metering in direct proportion to speed
- Easy to clean and service
- Low noise, low vibration
- Almost pulsation free conveyance
- High metering accuracy
- Service friendly design
- Short and compact

Main applications

- Shear sensitive products
- Low to high viscosity
- Sticky and smooth
- With or without solids
- Dilatant and /or thixotropic
- Abrasive
- Adhesive
- Polymer
- Flocculants

Additional information

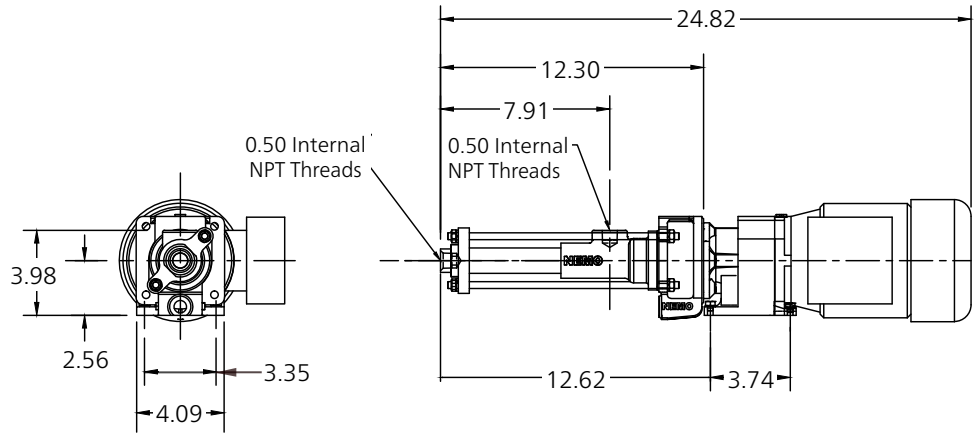
NEMO® PCP Brochure 305



NEMO® BY Mini Metering Pumps

NEMO® BY Mini Metering Pump

Flow rate up to
0.3 to 150 gph /
1.1 to 567 l/h
Pressures up to
180 psi / 12 bar - standard
500 psi / 36 bar - special



Based on largest standard gearmotor.
C-Face motor arrangement may be longer.
Not for construction.

NEMO® BY Mini Metering Pump

Pump Models	Flow rate (gpm / 100 rpm)	Max. Particle Size (in / mm)	Maximum Solids Size (in / mm)
NM003 BY 11S12 B	.0026	.0118 / 0.3	.039 / 1.0
NM005 BY 06S12 B	.0079	.0236 / 0.6	.079 / 2.0
NM008 BY 03S12 B	.0317	.039 / 1.0	.157 / 4.0
NM011 BY 02S12 B	.0898	.059 / 1.5	.236 / 6.0

Options for bearing block pumps

- Bareshaft models available
- Constant or variable speed
- Sanitary designs available

NETZSCH Pumps USA · 119 Pickering Way · Exton, PA 19341
Tel.: 610 363-8010 · Fax: 610 363-0971 · npa@netsch.com

NETZSCH Pumps USA · 1511 FM 1960 · Houston, TX 77073
Tel.: 346 445-2400 · npa@netsch.com

NETZSCH Canada Incorporated · 500 Welham Road · Barrie, ON L4N 8Z7
Tel.: 705 797-8426 · Fax: 705 797-8427 · ntc@netsch.com

NETZSCH Canada, Incorporated · 5050 76th Ave SE · Calgary, AB T2C 2X2
Tel.: 866 683-7867 · ntc@netsch.com

NETZSCH®

pumps-system.netsch.com