

NEMO® BF Open Hopper Pumps

FOR HEAVY DUTY APPLICATIONS

NEMO® BF pumps are designed to handle high-consistency products with a low degree of flow ability. They provide continuous, pressure-stable, gentle and low-pulsation conveyance with metering in proportion to rotational speed. The pump housing is designed with an enlarged, rectangular hopper and conical force-feed chamber as well as a special coupling rod with a patented, positioned feeding screw. This improves the pump efficiency by up to 50% compared to random positioning of the auger. The conveyor auger is perfectly synchronized with the rotor/stator system and covers the entire hopper opening. The auger is continuous from the shaft seal into the pumping elements without interruption. It also extends over both universal joints making this pump the perfect solution for highly viscous, compacted and crumbly products.

Features

- Pump housing with enlarged rectangular hopper
- Conical force-feed chamber
- Patented, horizontally positioned feeding screw
- Continuous low-pulsation conveyance unaffected by fluctuations in pressure and viscosity
- Flow volume in direct proportion to rotational speed
- High pressure capability without valves
- Carbon steel or stainless steel housing, internal component materials are available in carbon steel and stainless steel.
- Stator with funnel-shaped entrance for optimal filling of the conveying chamber

Your benefits

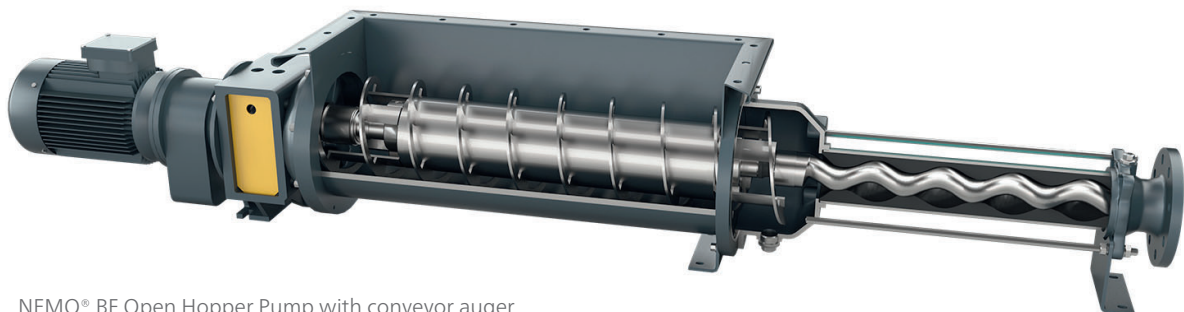
- Gentle conveyance
- High continuous flows up to 880 gpm / 200 m³/hr
- Handles pressures over 720 psi / 48 bar
- Economical operation and routine maintenance requirements only
- Close coupled, compact and economical
- Low noise, low vibration
- Easy to clean and service
- Adaptable to meet your closed-system requirements
- Odor control

Main applications

- Highly viscous substances
- Compacted media
- Sticky and smooth media
- Crumbly materials
- With and without solids
- Dilatant and /or thixotropic
- Abrasive materials
- Adhesive materials

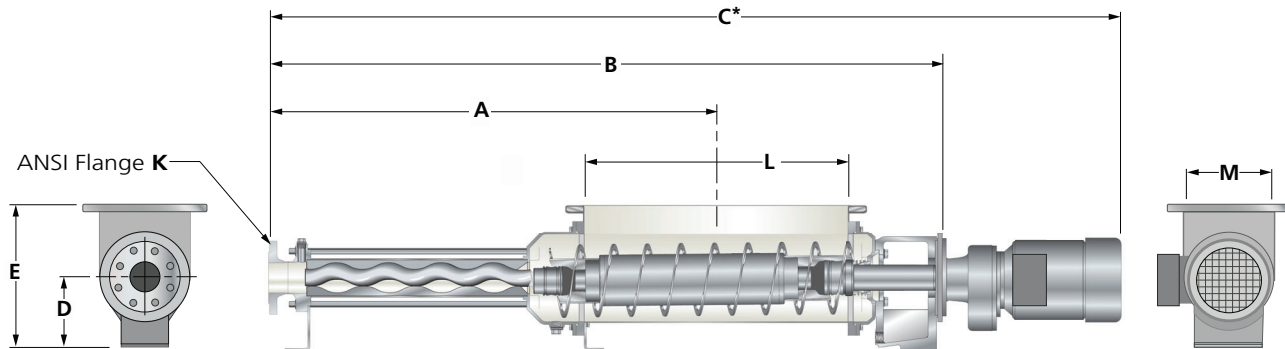
Additional information

NEMO® PCP Brochure 305



NEMO® BF Open Hopper Pump with conveyor auger

NEMO® BF Open Hopper Pumps



Flow rates up to 880 gpm / 200 m³/h at pressures up to 720 psi / 48 bar.

NEMO® BF Open Hopper Pumps											
Pump Models	Flow Rate (gpm / 100 rpm)	Max Particle Size (inches / mm)	Max Particle Size (inches / mm)	Dimensions (inches)					Hopper Opening Dimensions (inches)		ANSI Flange
				A	B	C*	D	E	L	M	
NM045 BF 02S12	9.71	0.33 / 8.5	1.37 / 35.0	44.25	67.36	87.26	6.69	13.58	29.53	9.45	3"
NM053 BF 02S12	16.27	0.39 / 10.0	1.61 / 41.0	50.37	73.07	93.17	7.87	15.35	29.53	11.22	3"
NM063 BF 02S12	27.44	0.49 / 12.5	1.96 / 50.0	50.37	78.70	104.11	16.93	16.93	29.53	14.17	4"
NM076 BF 02S12	46.01	0.59 / 15.0	2.40 / 61.0	63.31	86.42	111.27	9.84	18.90	29.53	15.35	6"
NM090 BF 02S12	77.27	0.70 / 18.0	2.87 / 73.0	68.70	93.35	124.75	11.02	21.46	29.53	16.53	6"
NM105 BF 02S12	129.55	0.82 / 21.0	3.30 / 84.0	81.42	108.70	156.12	11.81	24.00	29.53	19.69	6"

* Based on largest standard gearmotor. C-Face motor arrangement may be longer. Not for construction.

Options for BF pumps

- aBP-Module® to avoid bridge building
- Bridge breaking paddle
- Customized hopper dimensions
- Detachable force-feed chamber
- Load cells
- Friction loss reduction system
- Clean out flanges
- Hopper level sensors
- Over pressure protection
- Electronic counters with proximity sensors for metering applications
- Electrical control systems

NETZSCH
pumps-systems.netzsch.com

NETZSCH Pumps USA · 119 Pickering Way · Exton, PA 19341
Tel.: 610 363-8010 · Fax: 610 363-0971 · npa@netzsch.com

NETZSCH Pumps USA · 1511 FM 1960 · Houston, TX 77073
Tel.: 346 445-2400 · npa@netzsch.com

NETZSCH Canada Incorporated · 500 Welham Road · Barrie, ON L4 8Z7
Tel.: 705 797-8426 · Fax: 705 797-8427 · ntc@netzsch.com