

NEMO® BS Open Hopper Pumps

FOR THICKENED SLUDGE APPLICATIONS

NEMO® BS pumps are designed to handle medium to high-consistency products with a low degree of flowability. NEMO® BS pumps provide continuous, pressure-stable, gentle and low-pulsation conveyance with metering in proportion to rotational speed. The pump housing is designed with a square feed hopper having a force-feed chamber and a large inspection port at the top. The coupling rod is equipped with a short feed auger that supports the product into the rotor/stator system. The conveyor auger is perfectly synchronized with the rotor/stator system and covers the inlet of the hopper. The pump is a standardized model and is ideal for thickened sludge with up to 10% solid content.

Features

- Pump housing with square hopper
- Force-feed chamber
- Integrated feeding screw in the hopper
- Continuous low-pulsation conveyance unaffected by fluctuations in pressure and viscosity
- Flow volume in direct proportion to rotational speed
- High pressure capability without valves
- Stator with funnel-shaped entrance for optimal filling of the conveying chamber
- Integrated inspection port
- Cast iron housing, internal component materials are available in carbon steel and stainless steel.
- Identical dimensions with the BY-01L06 and BY-02S12 pump styles
- Available in 4-stage design for high pressure applications
- Low noise, low vibration
- Easy to clean and service
- Adaptable to meet your closed-system requirements
- Odor control

Your benefits

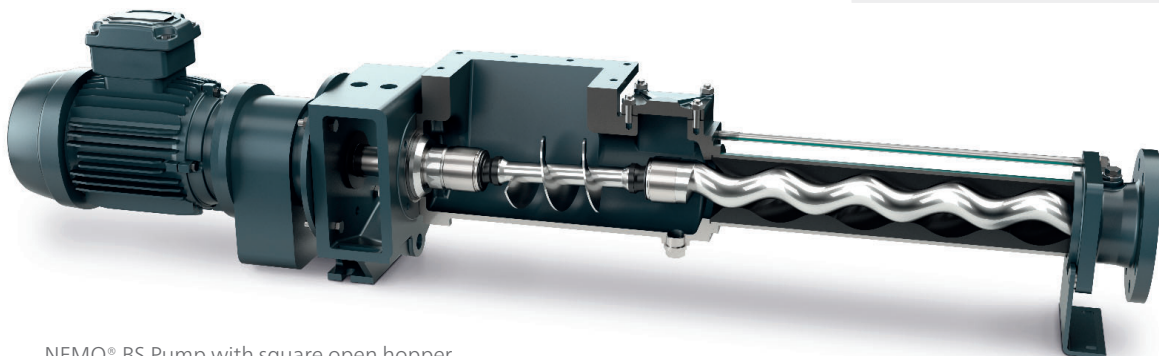
- Gentle conveyance
- High continuous flows up to 500 gpm / 115 m³/hr
- Handles pressures over 270 psi / 18 bar
- Economical operation and routine maintenance requirements only
- Close coupled, compact and economical

Main applications

- Thickened sludge up to 10% DS
- Highly viscous substances
- Compacted product
- Sticky and smooth media
- Crumbly materials
- Media with or without solids
- Dilatant and /or thixotropic product
- Abrasive materials

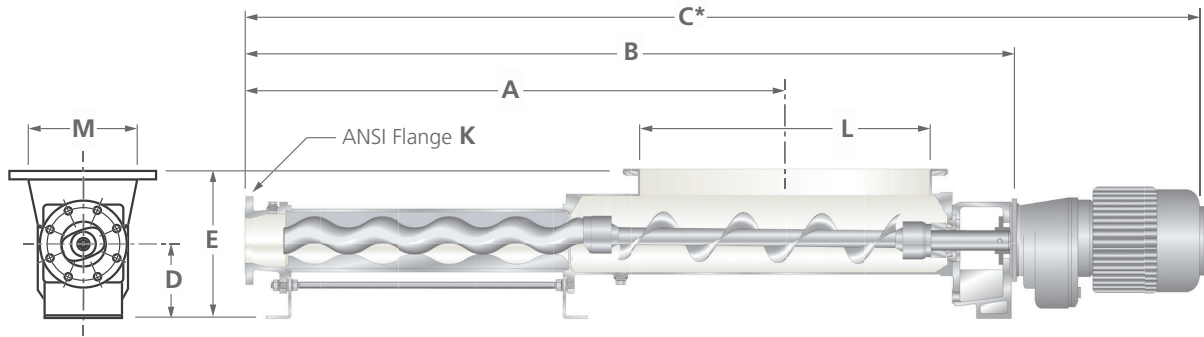
Additional information

NEMO® PCP Brochure 305



NEMO® BS Pump with square open hopper

NEMO® BS Open Hopper Pump



Flow rates up to 500 gpm / 115 m³/h at pressures up to 270 psi / 18 bar.

NEMO® BS Pumps														
Pump Models	Flow Rate (GPM/100 rpm)			Max Particle Size (inches / mm)	Max Solids Size (inches / mm)	Dimensions (inches)					Hopper Opening Dimensions (inches)		ANSI Flange K	(FF)
	02S	01L	04S			A	B	C*	D	E	L	L2		
NM045 BS 02S12 / 01L06	9.71	19.42	-	.33 / 8.5	1.38 / 35	34.65	45.35	67.35	6.23	11.61	7.87	7.87	3"	125#
NM053 BS 02S12 / 01L06	16.27	32.54	-	.40 / 10.0	1.61 / 41	39.92	52.52	76.52	6.69	12.00	9.84	9.84	3"	125#
NM063 BS 02S12 / 01L06	27.44	54.88	-	.50 / 12.5	2.0 / 50	48.62	62.40	86.40	7.87	14.37	11.81	11.81	4"	125#
NM076 BS 02S12 / 01L06	46.01	92.02	-	.59 / 15.0	2.4 / 61	56.42	71.42	99.42	8.86	15.94	13.78	13.78	6"	125#
NM090 BS 02S12 / 01L06	77.27	154.55	-	0.71 / 18	2.8 / 73	66.42	81.77	117.77	9.84	17.13	13.78	13.78	6"	125#
NM038 BS 04S18	-	-	5.78	.28 / 7.0	1.1 / 28	47.28	57.99	67.35	6.23	11.61	7.87	7.87	3"	250#
NM045 BS 04S18	-	-	9.71	.33 / 8.5	1.38 / 35	53.39	65.98	76.52	6.69	12.00	9.84	9.84	3"	250#
NM053 BS 04S18	-	-	16.27	.40 / 10.0	1.61 / 41	65.59	79.37	86.40	7.87	14.37	11.81	11.81	3"	250#
NM063 BS 04S18	-	-	27.44	.50 / 12.5	2.0 / 50	76.73	91.73	99.42	8.86	15.94	13.78	13.78	4"	250#
NM076 BS 04S18	-	-	46.01	.59 / 15.0	2.4 / 61	89.09	104.44	117.77	9.84	17.13	13.78	13.78	6"	250#

* Based on largest standard gearmotor. C-Face motor arrangement may be longer. Not for construction.

Options for BS pumps

- Load cells
- Friction loss reduction system
- Clean out flanges
- Hopper level sensors
- Over pressure protection
- Electronic counters with proximity sensors for dosing applications
- Electrical control systems

NETZSCH Pumps USA · 119 Pickering Way · Exton, PA 19341
Tel.: 610 363-8010 · Fax: 610 363-0971 · npa@netsch.com

NETZSCH Pumps USA · 1511 FM 1960 · Road Houston, TX 77073
Tel.: 346 445-2400 · npa@netsch.com

NETZSCH Canada Incorporated · 500 Welham Road · Barrie, ON L4 8Z7
Tel.: 705 797-8426 · Fax: 705 797-8427 · ntc@netsch.com

NETZSCH
pumps-systems.netsch.com